




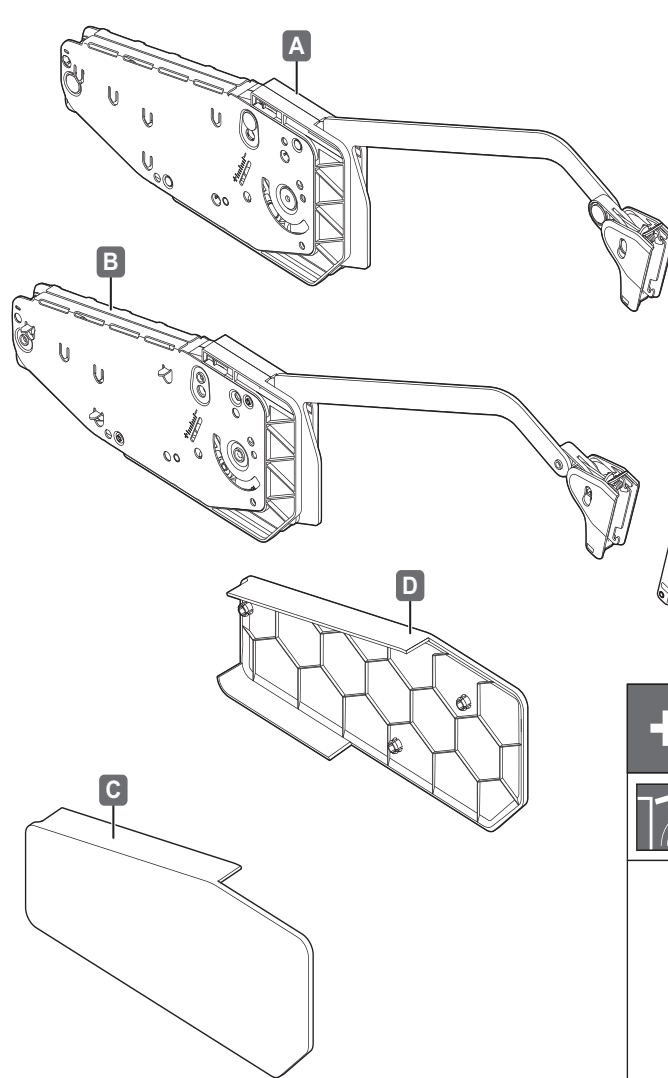
Free fold short

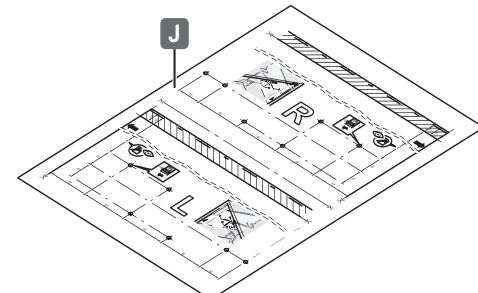
372.38.XXX

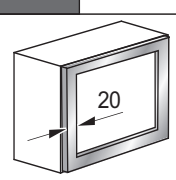


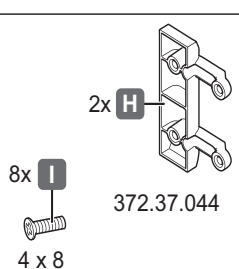


mm

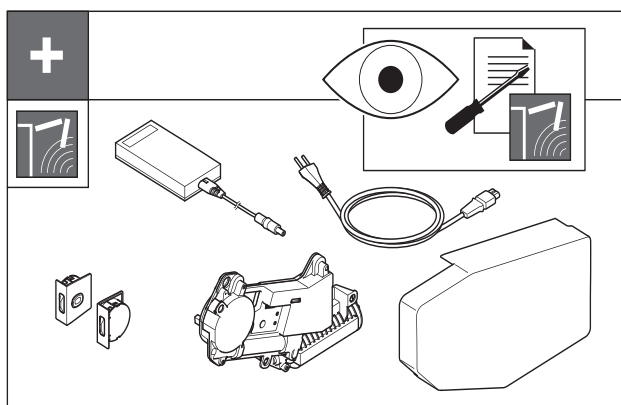


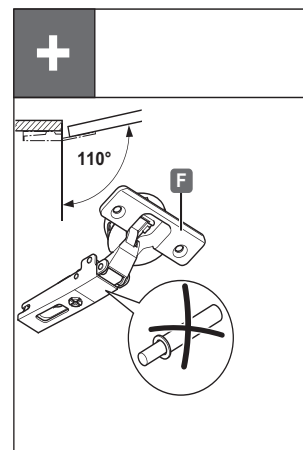


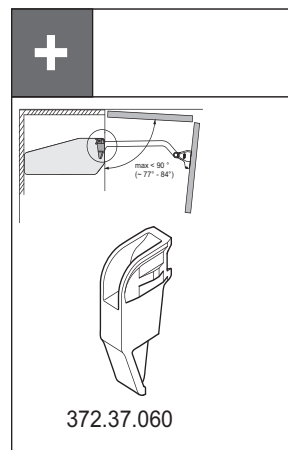




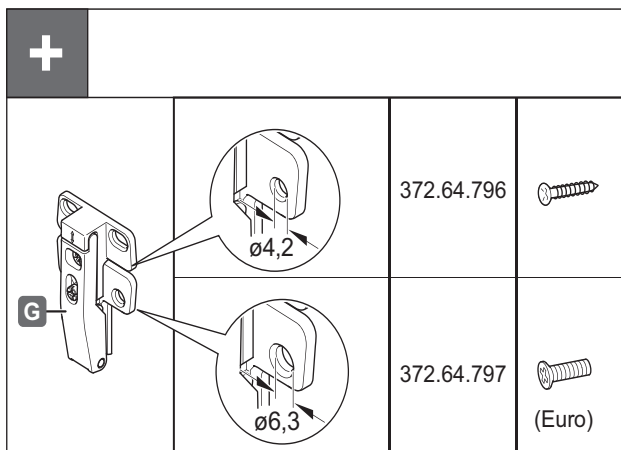
372.37.044









372.37.060



	372.64.796	
	372.64.797	 (Euro)

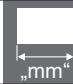
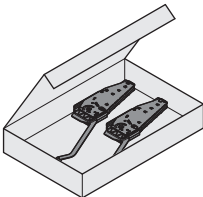
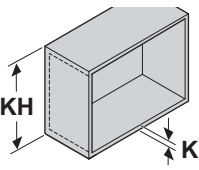
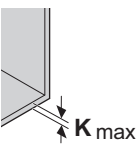
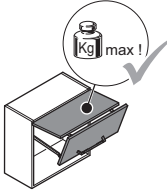

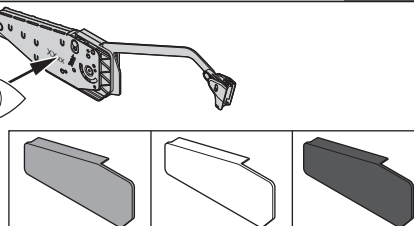

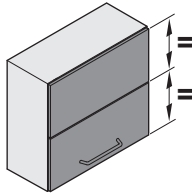

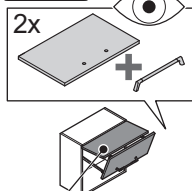
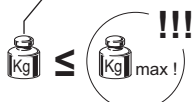










732.23.035

12.0001.010.444.0000.00

HDE 12.12.2017

www.hafele.com: #W7Q

1/12

i								
								
    	KH (FH): 450 - 480	16	2,8 - 5,1 kg	B1fs	372.38.500	372.38.700	372.38.300	
	KH (FH): 480 - 530		21	5,1 - 10,2 kg	B3fs	372.38.502	372.38.702	372.38.301
				9,7 - 16,9 kg	B4fs	372.38.503	372.38.703	372.38.302
	KH (FH): 520 - 590	36	2,4 - 4,8 kg	D1fs	372.38.520	372.38.720	372.38.306	
			4,8 - 9,0 kg	D3fs	372.38.522	372.38.722	372.38.307	
			7,8 - 15,2 kg	D4fs	372.38.523	372.38.723	372.38.308	
	KH (FH): 580 - 650	50	2,1 - 4,0 kg	E1fs	372.38.530	372.38.730	372.38.310	
			4,0 - 8,5 kg	E3fs	372.38.532	372.38.732	372.38.311	
			6,8 - 12,5 kg	E4fs	372.38.533	372.38.733	372.38.312	
			10,5 - 17,3 kg	E5fs	372.38.534	372.38.734	372.38.313	
	KH (FH): 650 - 730	59	2,0 - 3,7 kg	F1fs	372.38.540	372.38.740	372.38.314	
			3,7 - 7,4 kg	F3fs	372.38.542	372.38.742	372.38.315	
			7,0 - 11,8 kg	F4fs	372.38.543	372.38.743	372.38.316	
			10,2 - 17,2 kg	F5fs	372.38.544	372.38.744	372.38.317	
	KH (FH): 710 - 790	59	3,6 - 6,2 kg	G3fs	372.38.552	372.38.752	372.38.318	
6,1 - 10,8 kg			G4fs	372.38.553	372.38.753	372.38.319		
8,5 - 14,4 kg			G5fs	372.38.554	372.38.754	372.38.320		
KH (FH): 770 - 840	69	3,5 - 6,0 kg	H3fs	372.38.562	372.38.762	372.38.321		
		5,1 - 9,8 kg	H4fs	372.38.563	372.38.763	372.38.322		
		 7,5 - 14,1 kg	H5fs	372.38.564	372.38.764	372.38.323		
		 10,5 - 20,9 kg	H6fs	372.38.565	372.38.765	372.38.332		
KH (FH): 840 - 910	69	4,7 - 8,9 kg	I4fs	372.38.573	372.38.773	372.38.324		
		 6,9 - 12,2 kg	I5fs	372.38.574	372.38.774	372.38.325		
		 10,0 - 20 kg	I6fs	372.38.575	372.38.775	372.38.333		
KH (FH): 910 - 970	79	4,7 - 8,0 kg	J4fs	372.38.583	372.38.783	372.38.326		
		 6,4 - 11,5 kg	J5fs	372.38.584	372.38.784	372.38.327		
		 8,9 - 16,8 kg	J6fs	372.38.585	372.38.785	372.38.334		
KH (FH): 960 - 1010	84	4,6 - 8,3 kg	K4fs	372.38.593	372.38.793	372.38.328		
		 6,5 - 10,7 kg	K5fs	372.38.594	372.38.794	372.38.329		
		 8,4 - 16,6 kg	K6fs	372.38.595	372.38.795	372.38.335		
KH (FH): 1000 - 1040	89	4,0 - 7,4 kg	L4fs	372.38.598	372.38.798	372.38.330		
		 5,7 - 10,1 kg	L5fs	372.38.599	372.38.799	372.38.331		
		 9,1 - 16,1 kg	L6fs	372.38.597	372.38.797	372.38.336		

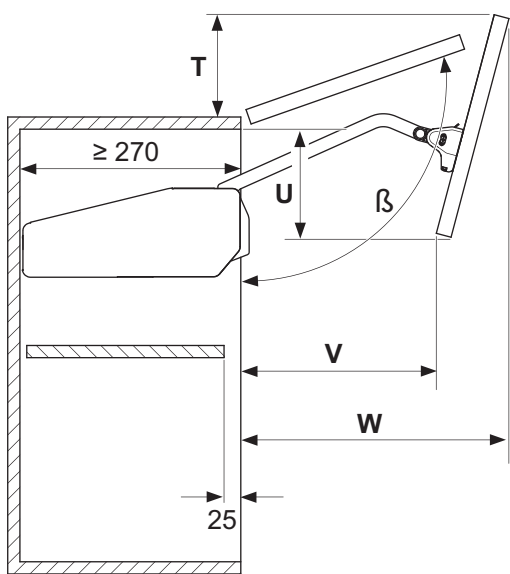
732.23.035

12.0001.010.444.0000.00

HDE 12.12.2017

i

„mm“



$$Y = (Q \times KH) - R - K$$

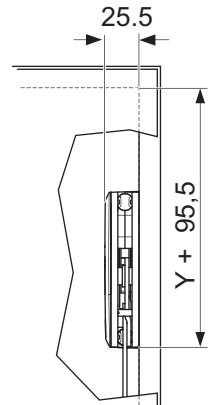
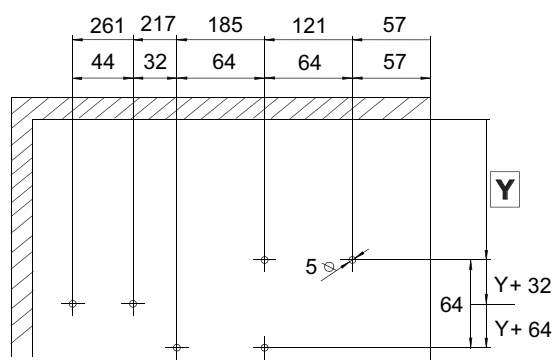
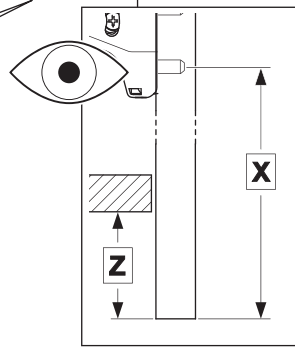
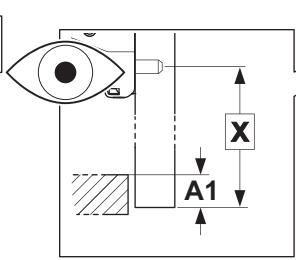
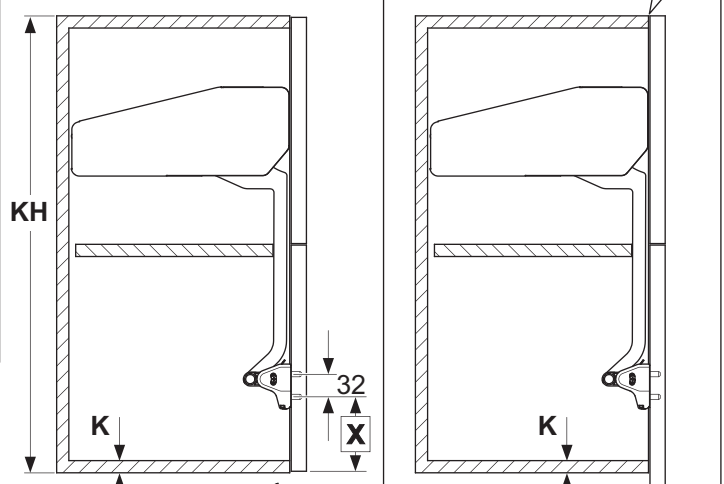
$$X = KH - Y - S - (2 \times K) + A1$$

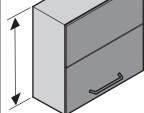
i

$$Y = (Q \times FH) - R - A1$$

$$X = FH - Y - S - A1$$

$$Z < K_{max} - K$$



	β [°]	Q	R	S	T	U	V	W
450-480	~107-98	1,0	349	313	94-49	93-128	196-180	315-343
480-530	~107-96	1,1	426	328	100-37	100-155	203-186	328-370
520-590	~107-93	1,1	466	347	106-23	112-184	213-190	347-401
580-650	~108-95	1,2	589	377	119-40	126-197	227-207	375-430
650-730	~107-94	1,2	664	409	124-38	147-224	238-215	411-470
710-790	~108-95	1,2	736	439	136-46	161-233	250-219	439-500
770-840	~108-95	1,0	644	467	146-43	179-223	267-200	466-527
840-910	~108-98	1,2	882	501	154-70	195-248	272-231	502-559
910-970	~107-98	1,1	865	533	160-78	214-246	282-225	536-588
960-1010	~107-100	1,1	915	557	170-99	228-251	295-240	560-605
1000-1040	~107-102	1,1	954	576	177-120	239-256	306-256	578-616

732.23.035

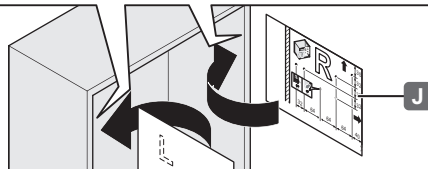
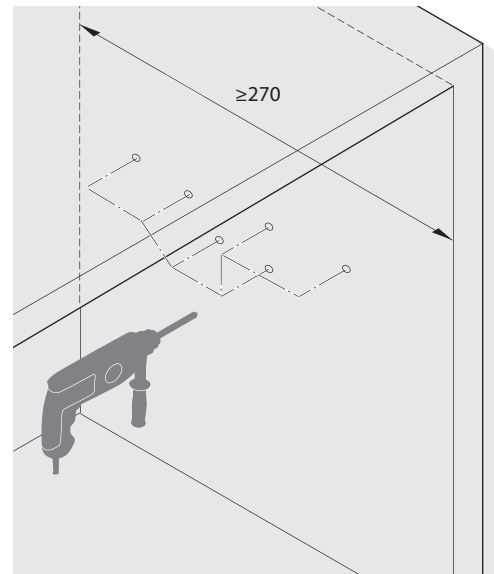
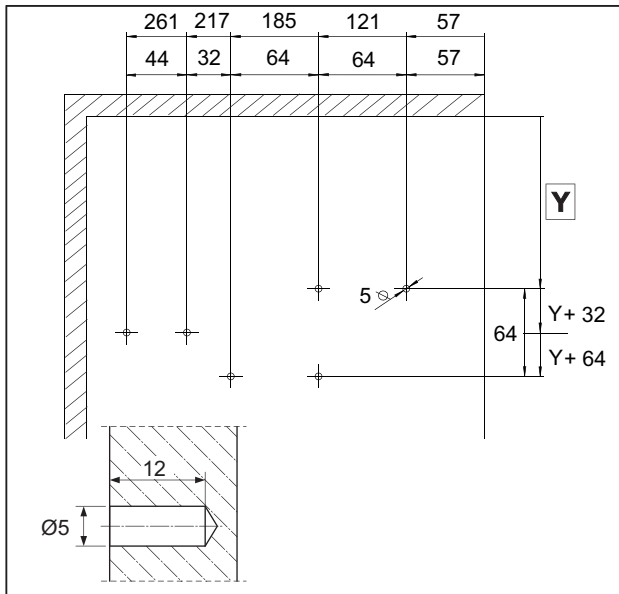
12.0001.010.444.0000.00

HDE 12.12.2017

1



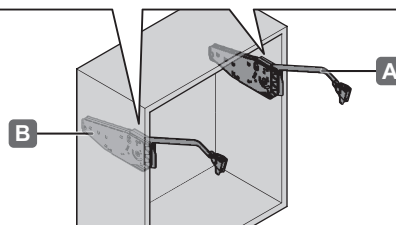
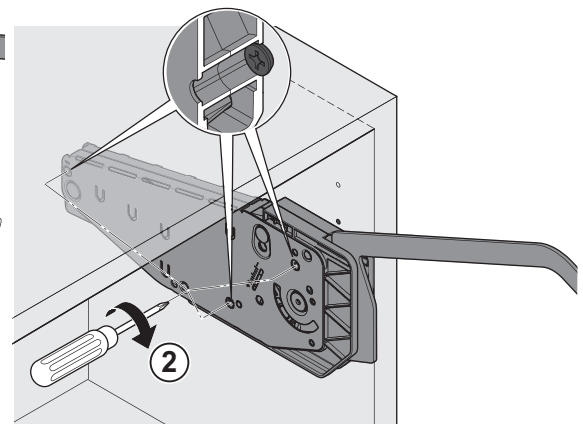
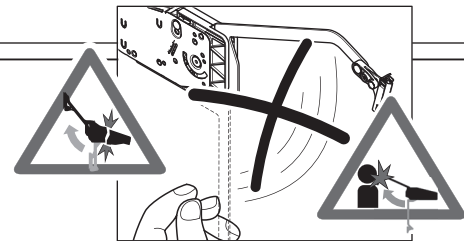
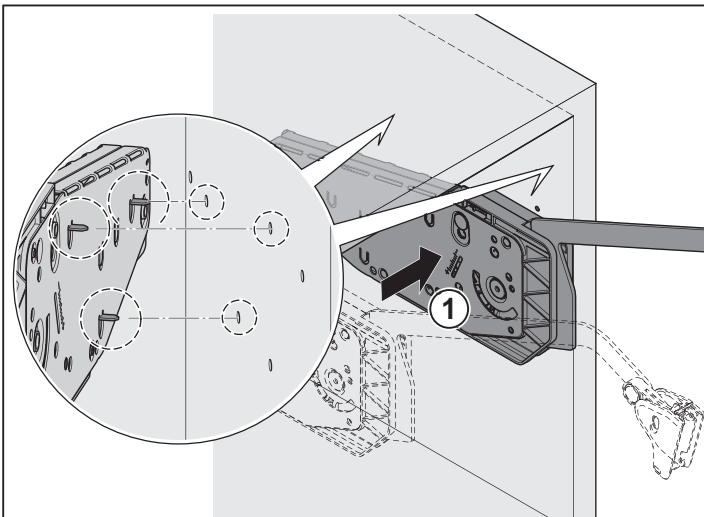
5 mm



2



PZ 2



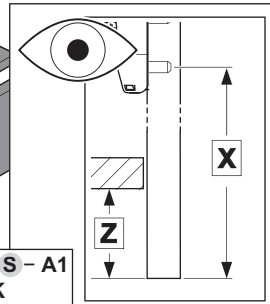
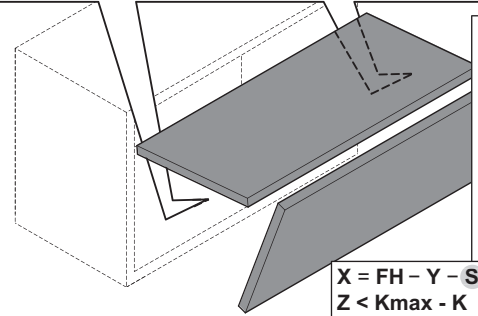
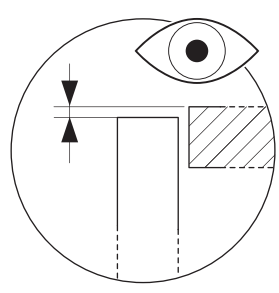
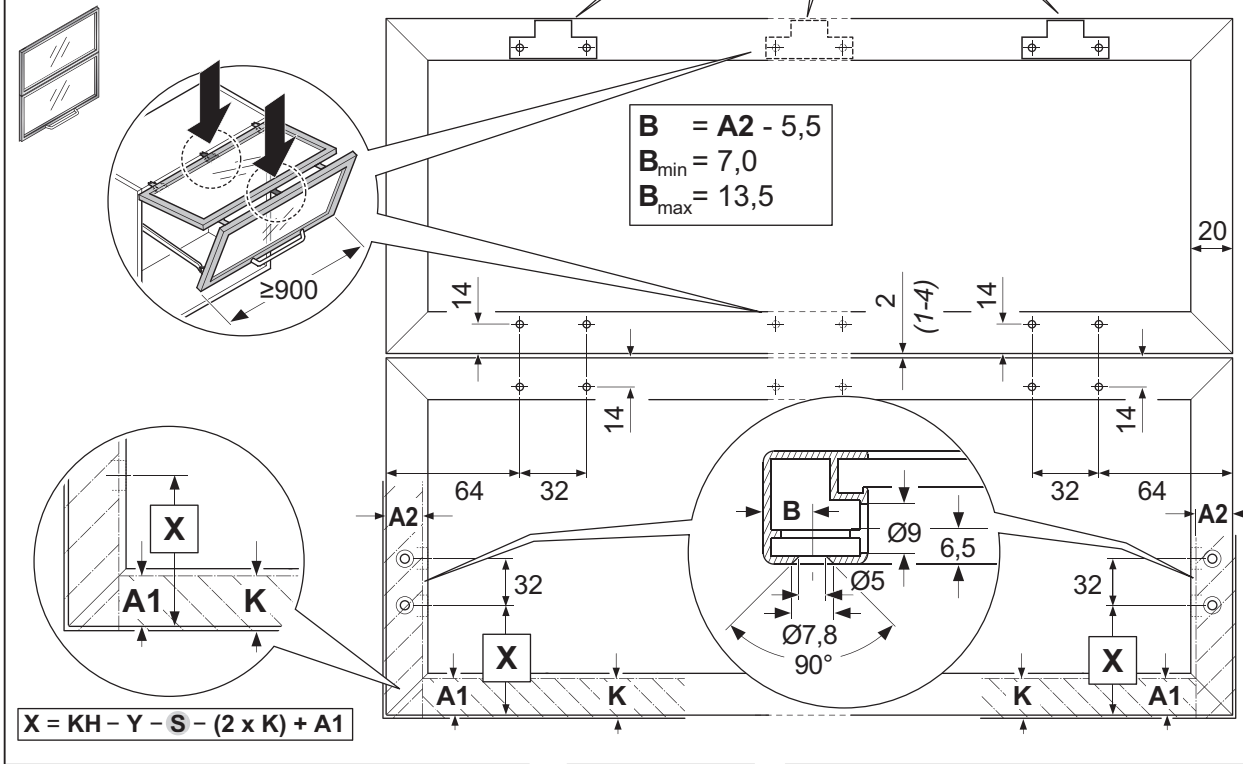
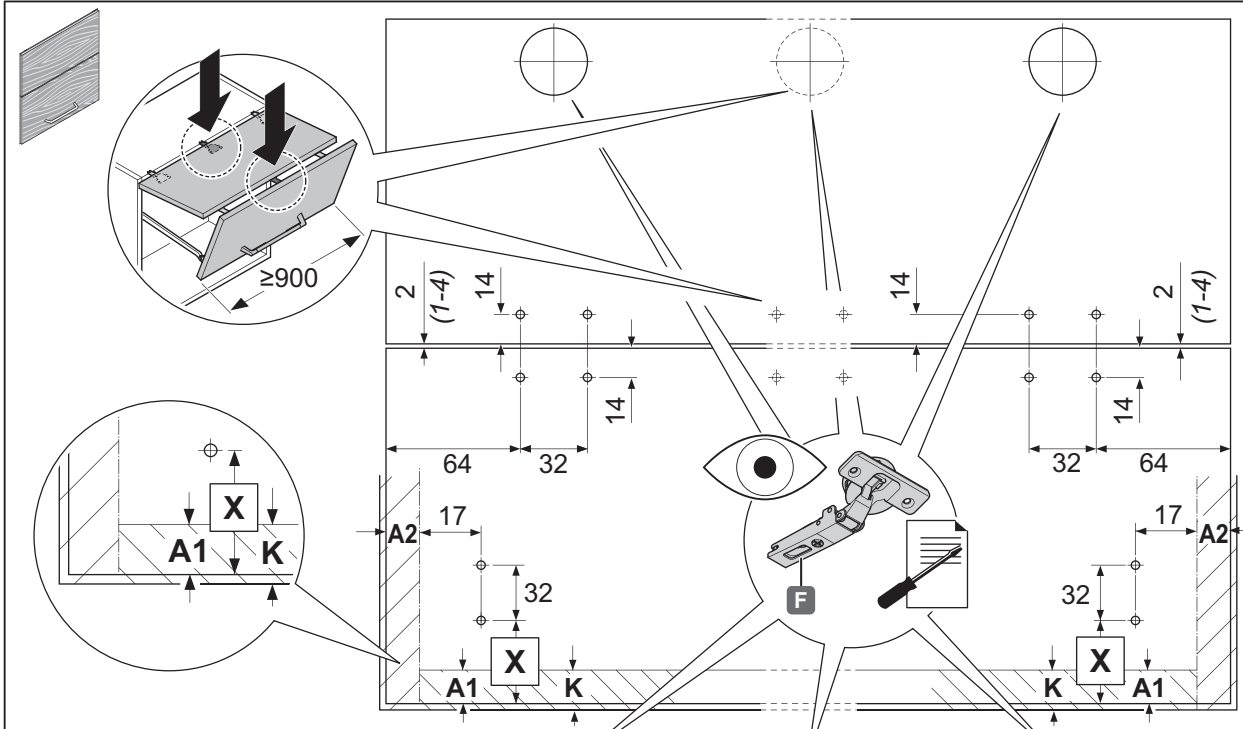
732.23.035

12.0001.010.444.0000.00

HDE 12.12.2017

3

„mm“



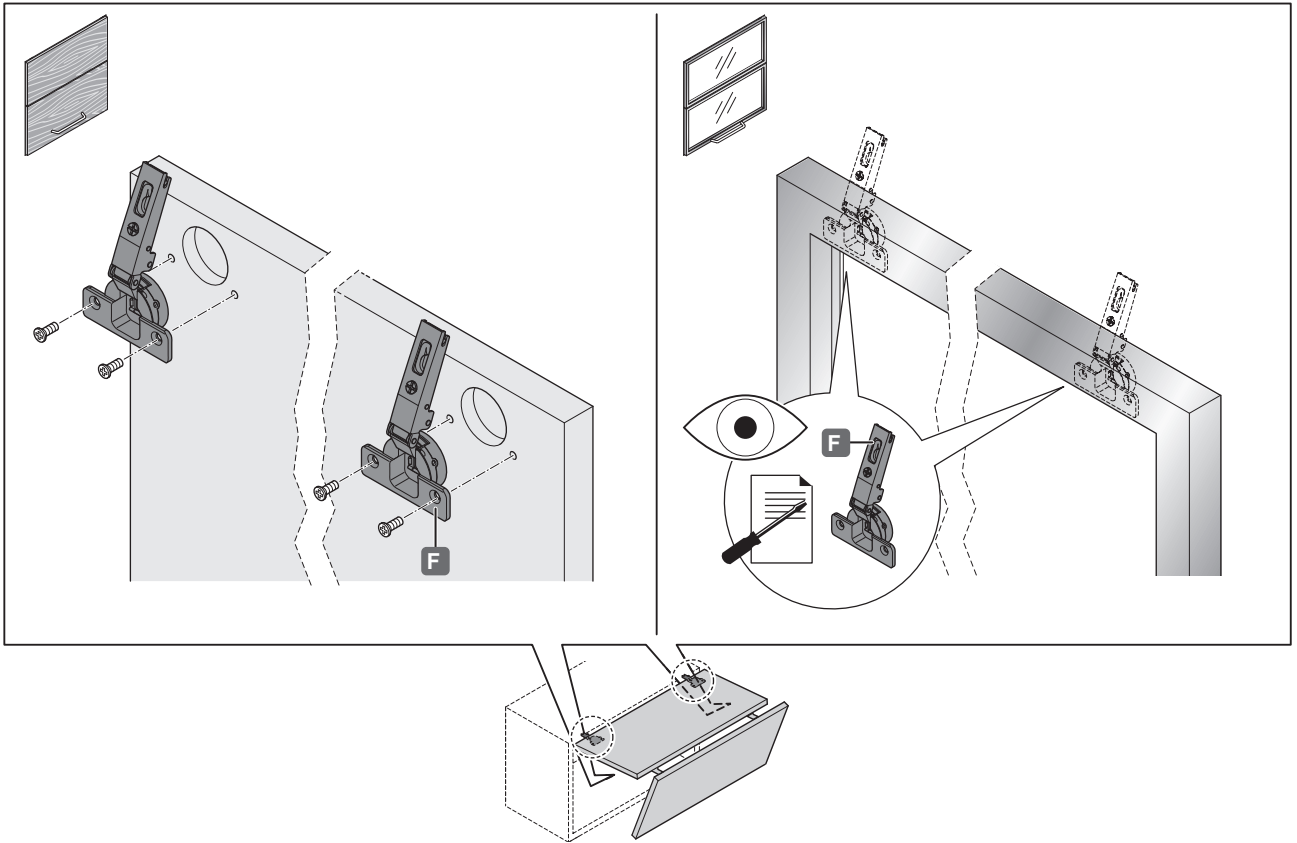
i

732.23.035

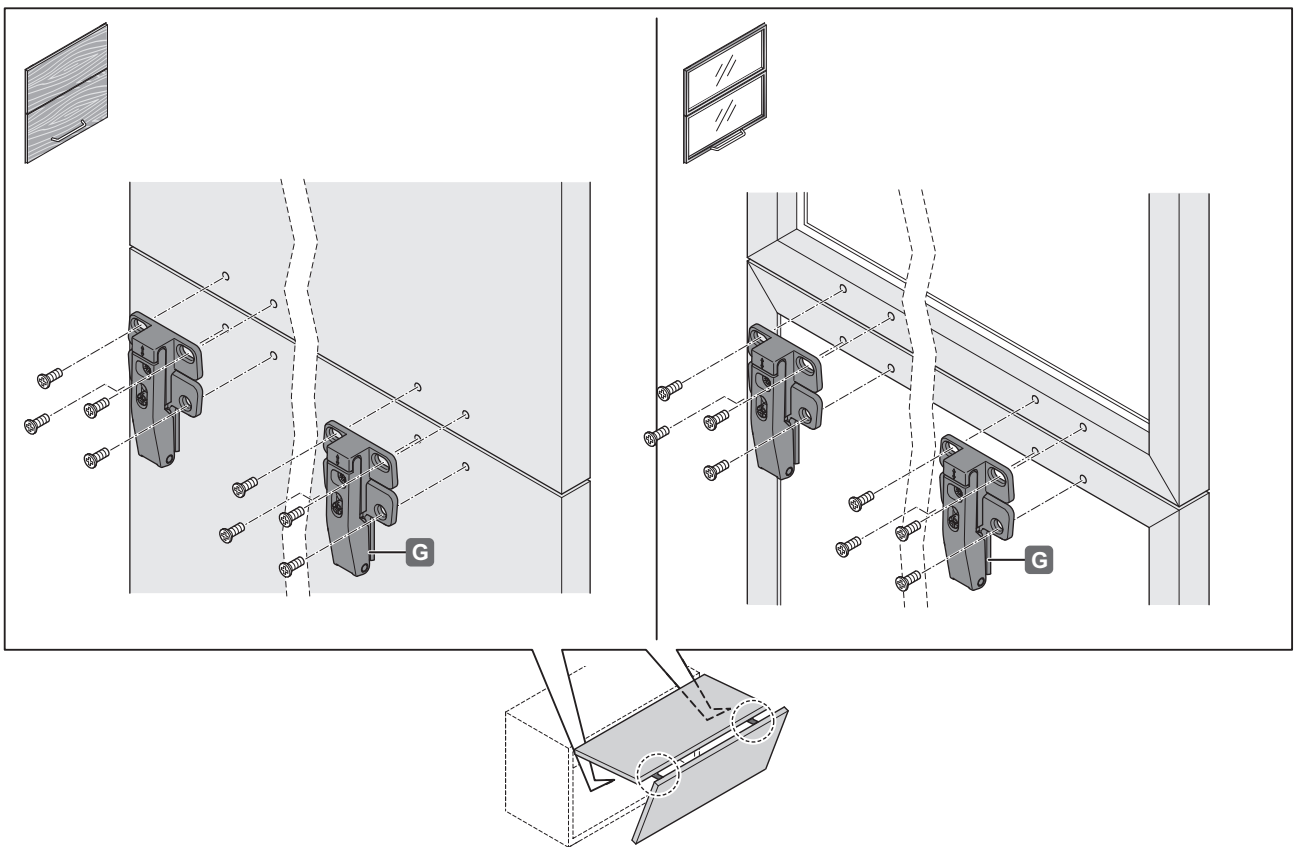
12.000.1.010.444.0000.00

HDE 12.12.2017

4



5

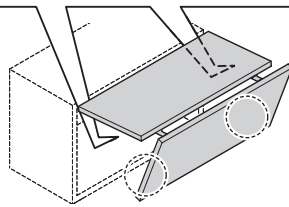
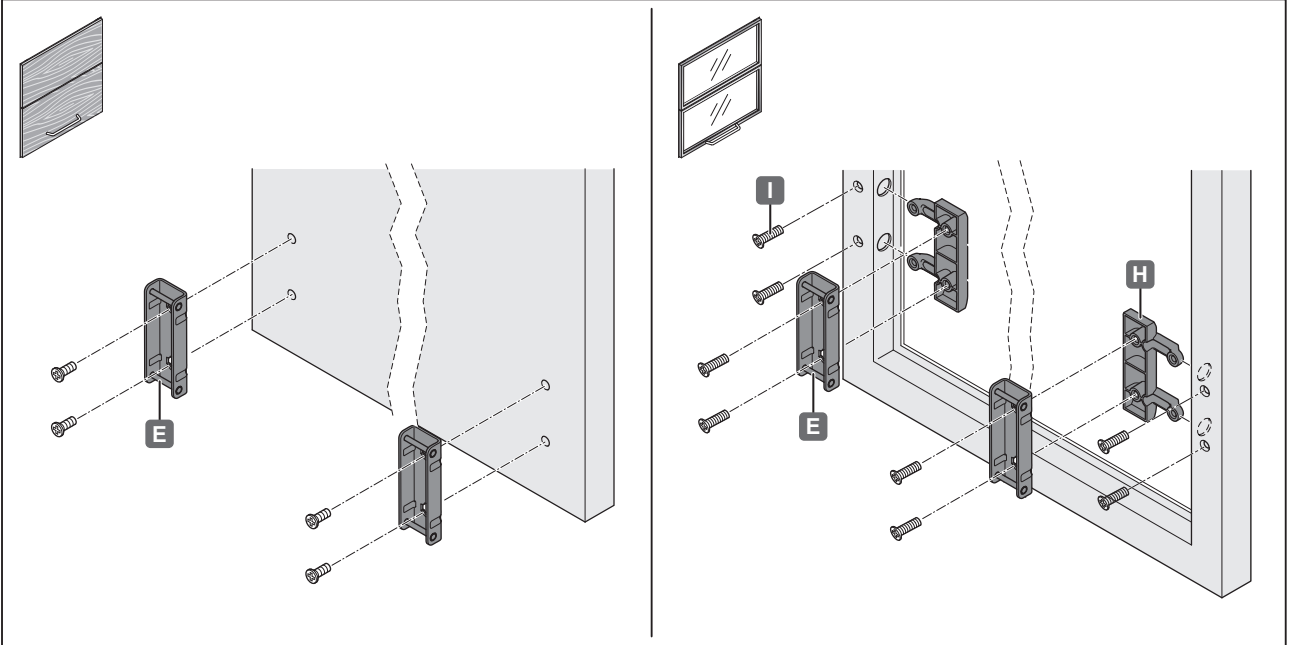


732.23.035

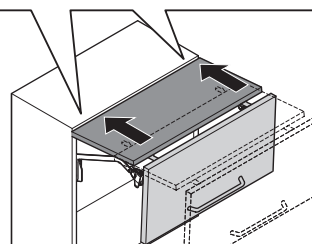
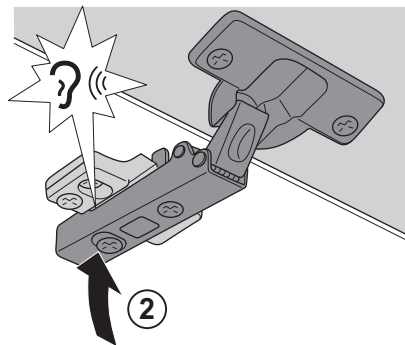
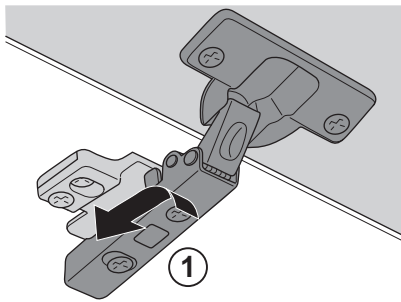
12.0001.010.444.0000.00

HDE 12.12.2017

6



7

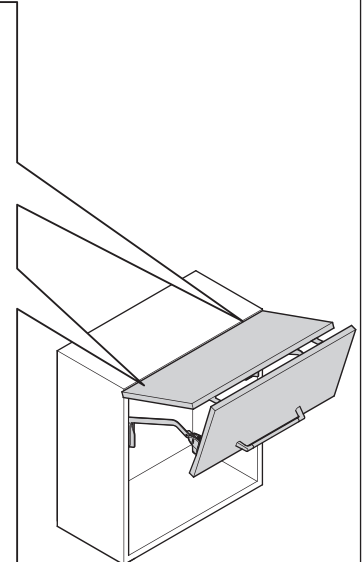
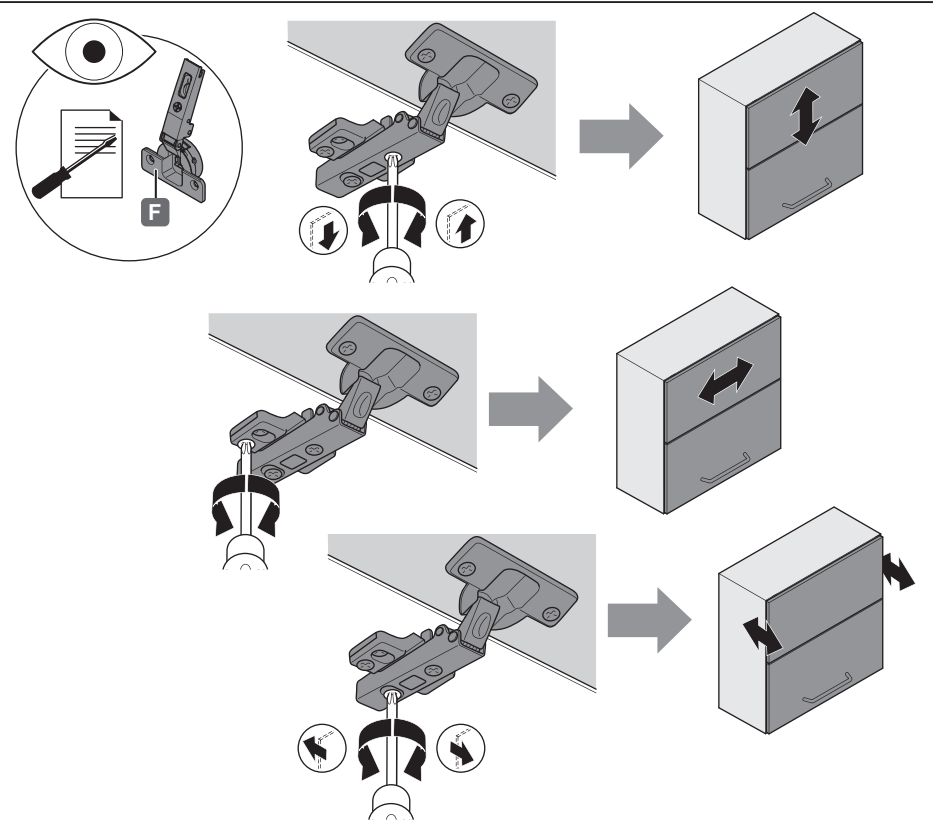
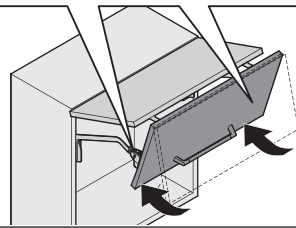
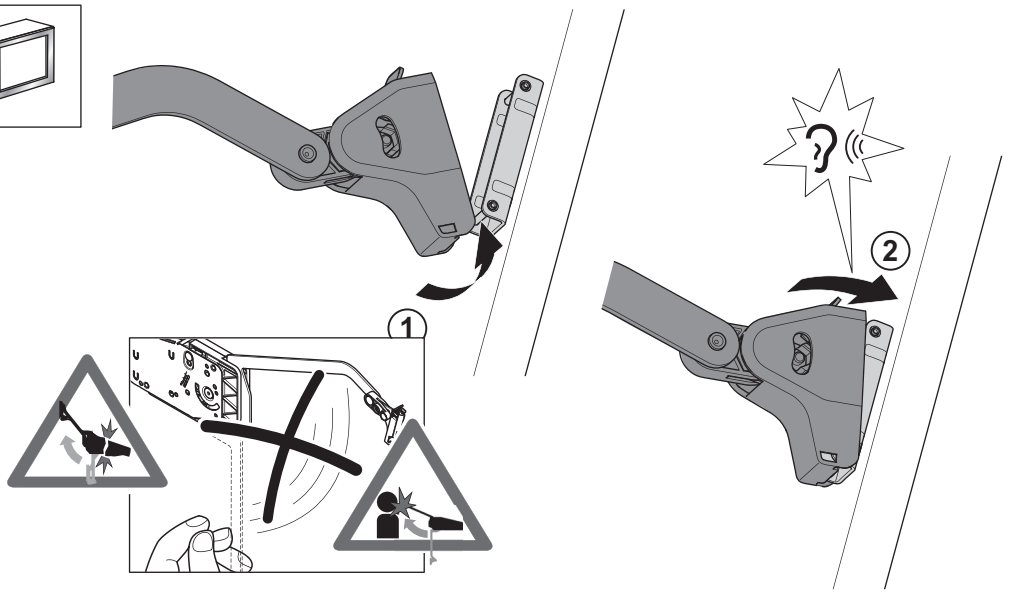
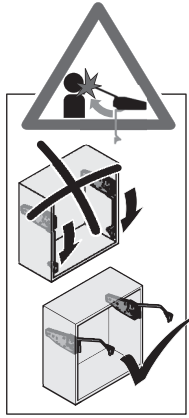
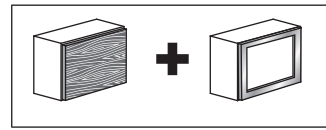


732.23.035

12.0001.010.444.0000.00

HDE 12.12.2017

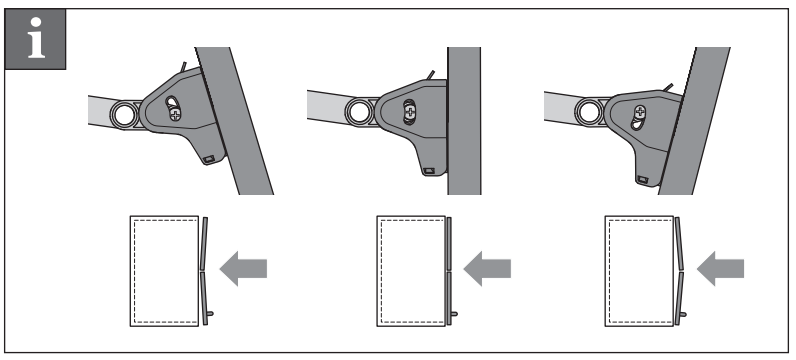
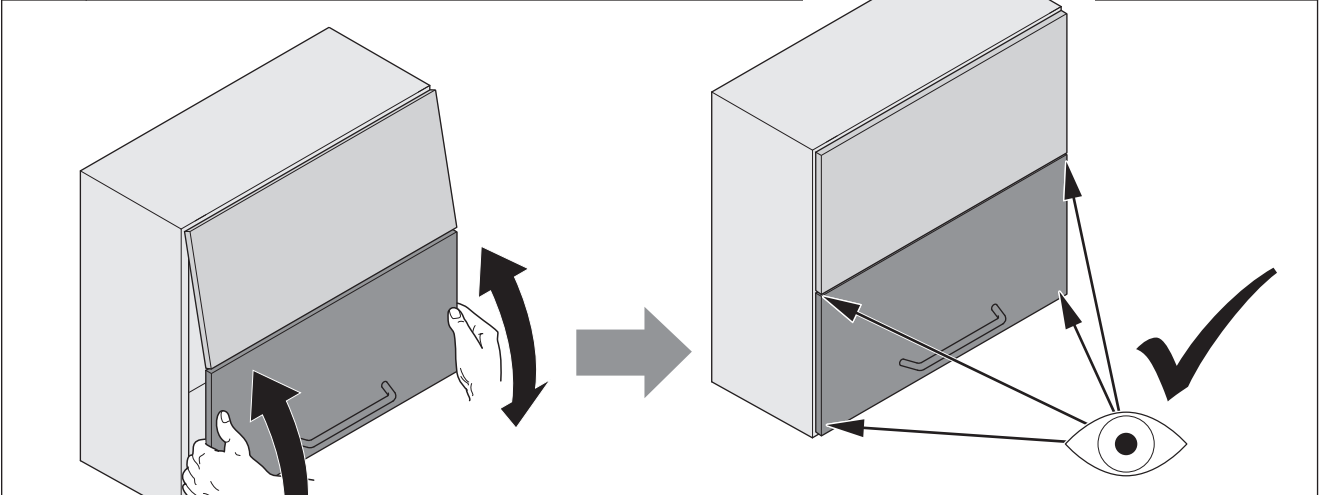
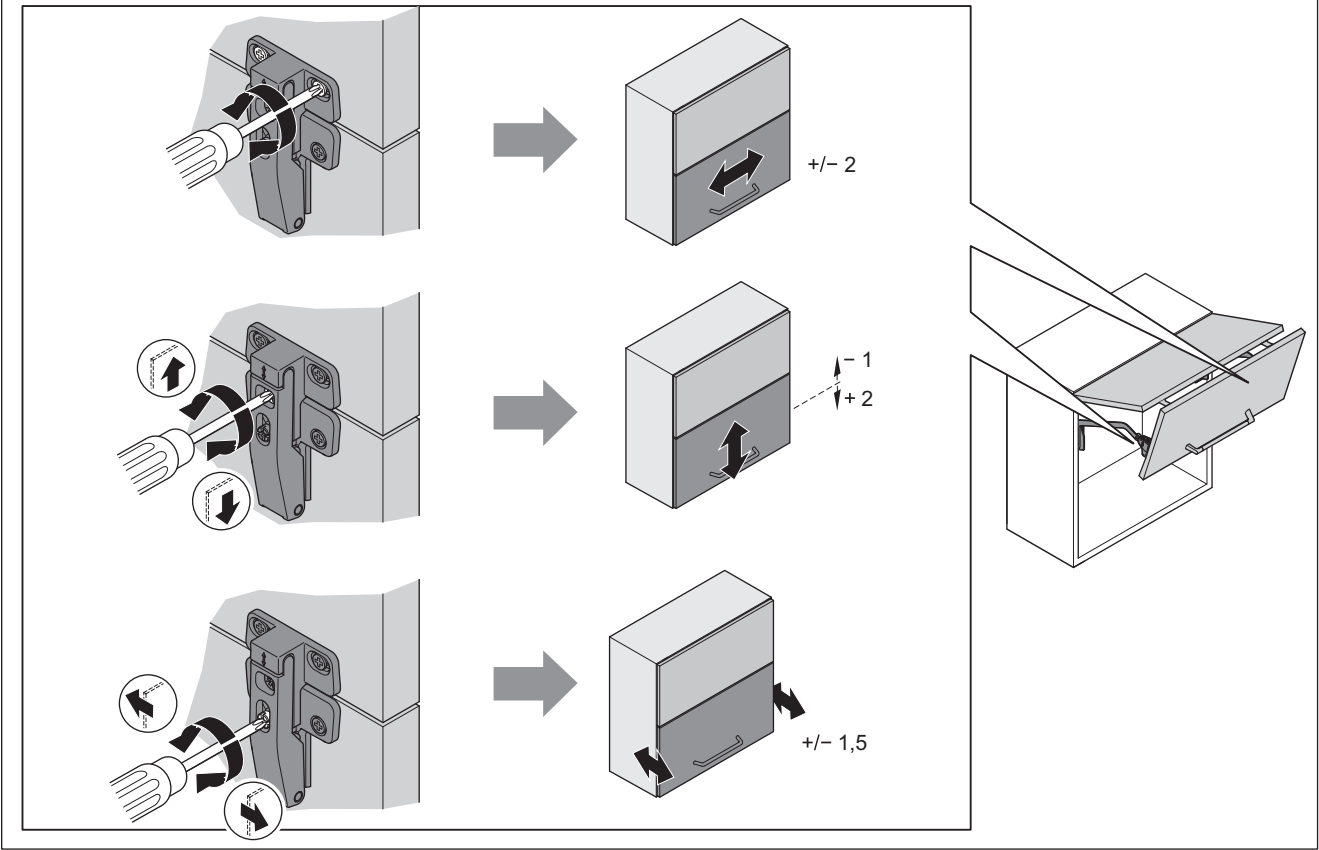
8



732.23.035

12.0001.010.444.0000.00

HDE 12.12.2017



732.23.035

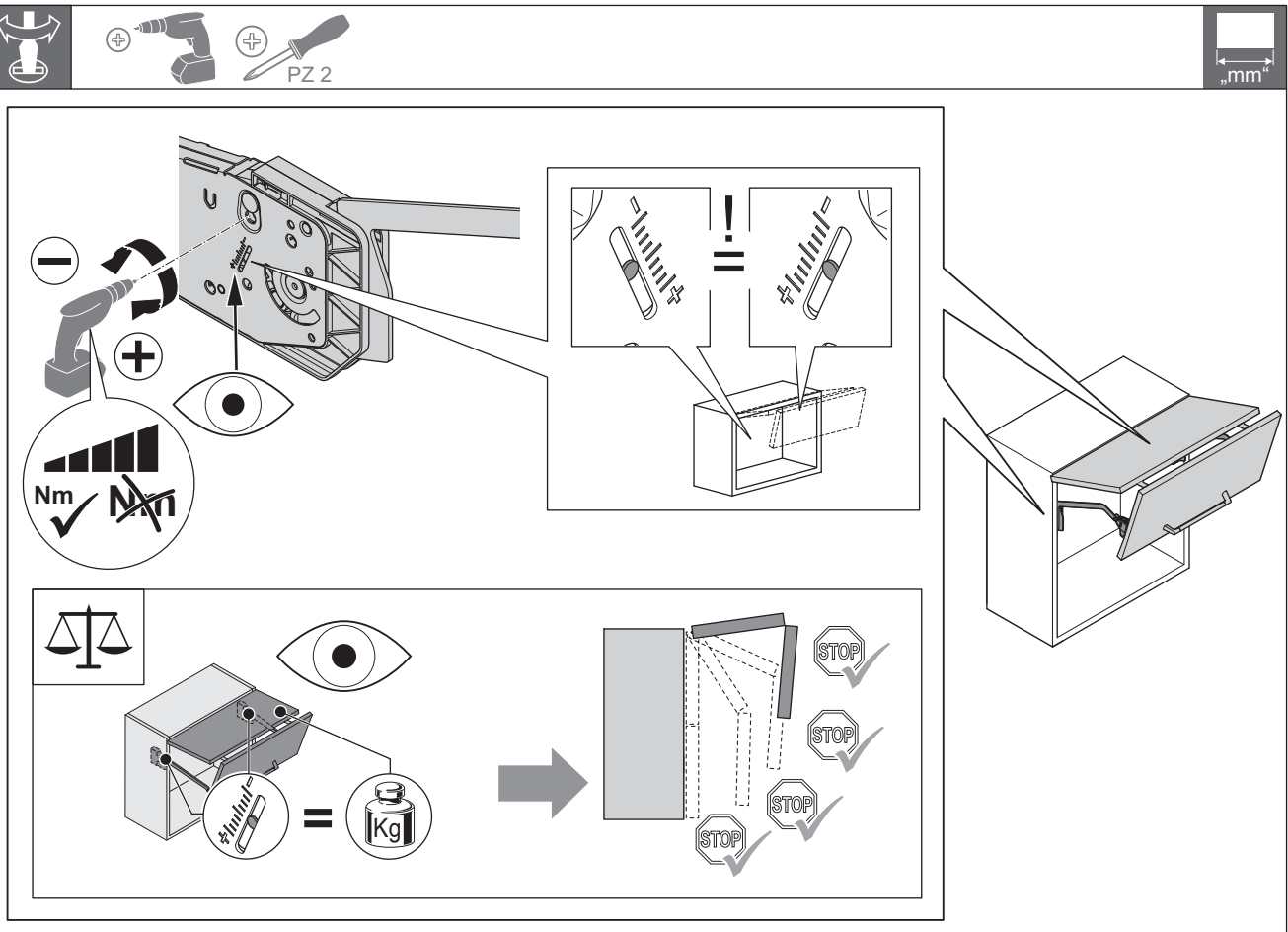
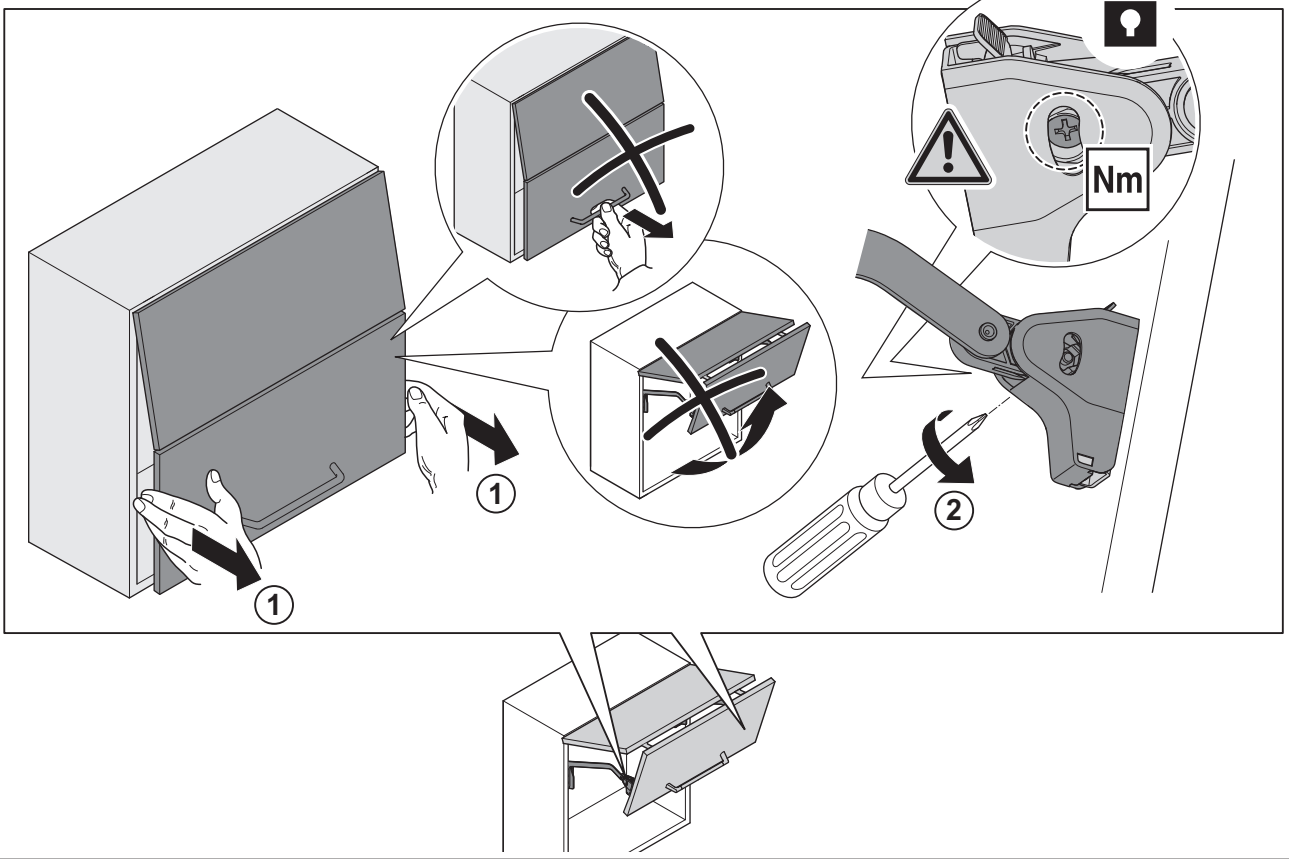
12.0001.010.444.0000.00

HDE 12.12.2017

9



PZ 2

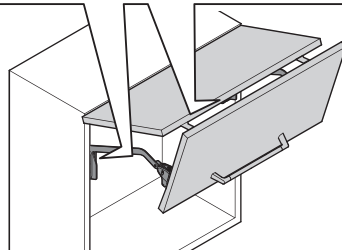
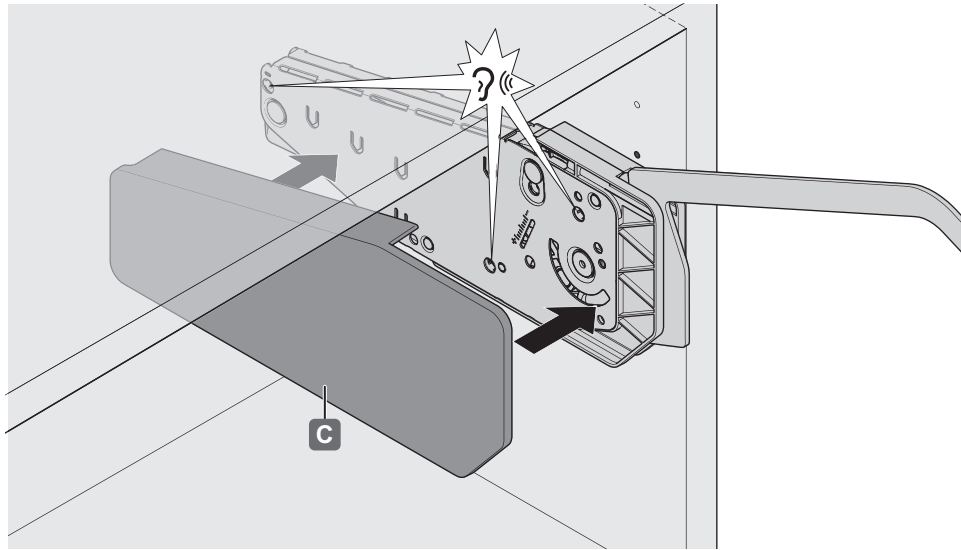


732.23.035

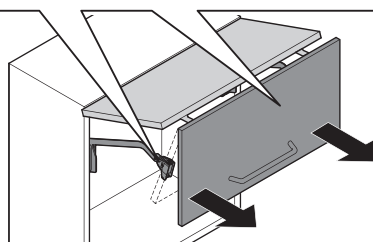
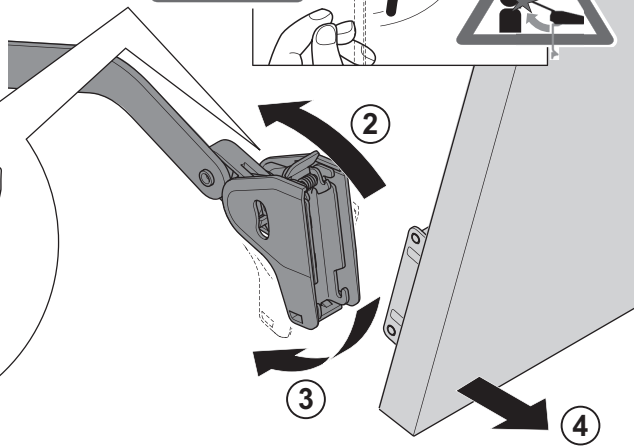
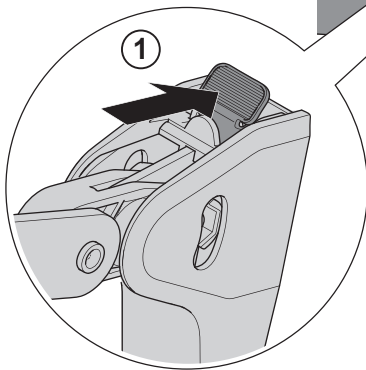
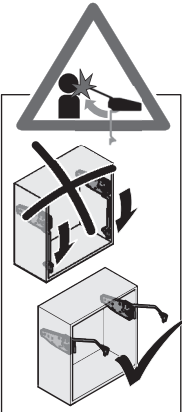
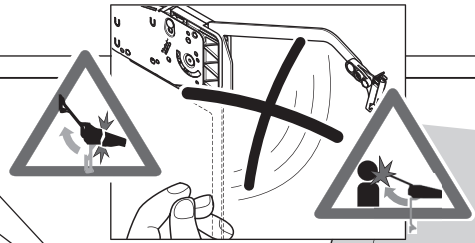
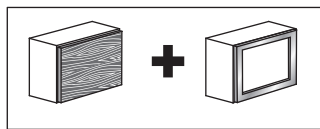
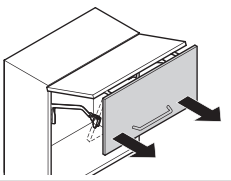
12.0001.010.444.0000.00

HDE 12.12.2017

10



i

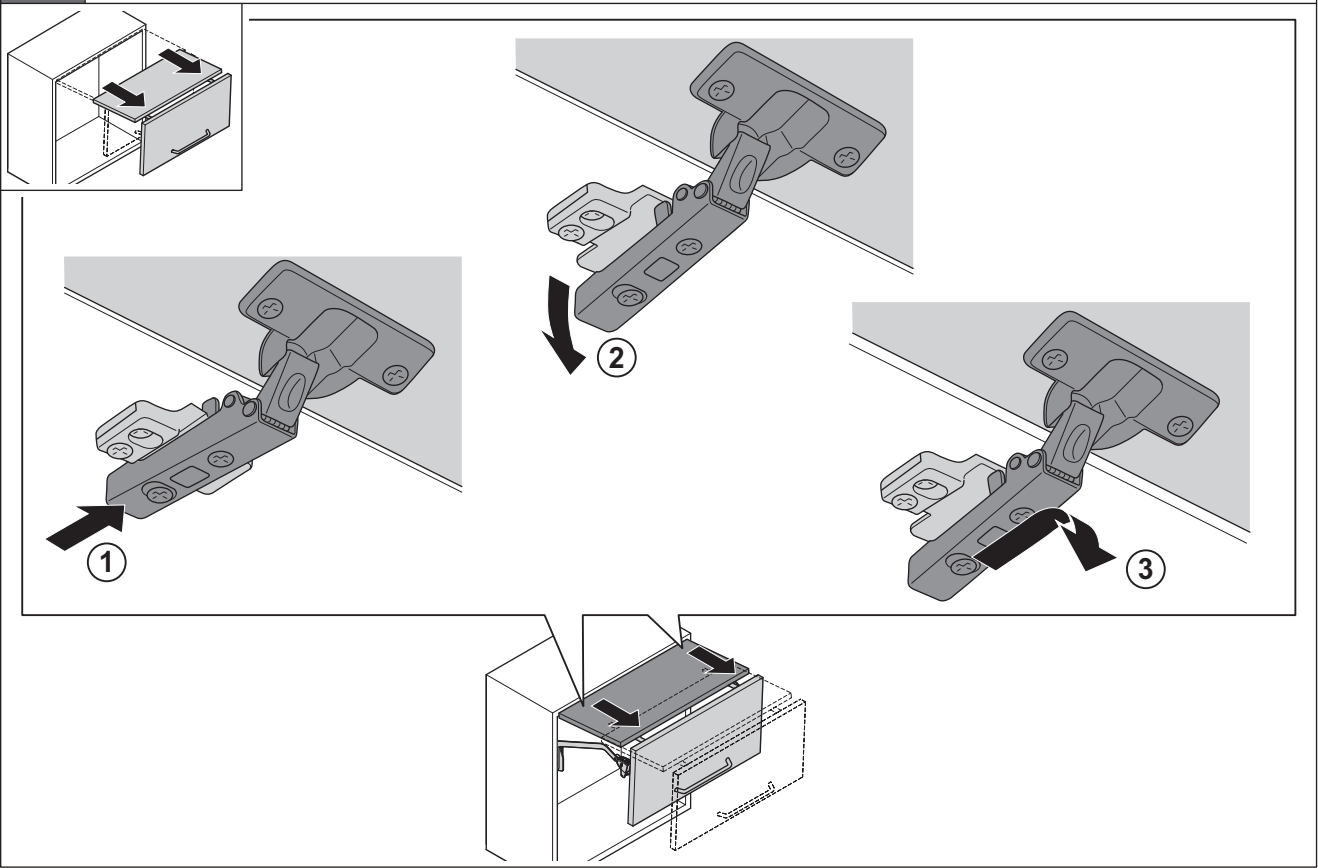


732.23.035

12.000.1.010.444.0000.00

HDE 12.12.2017

i



732.23.035

12.0001.010.444.0000.00

HDE 12.12.2017